

## Coupe Roof Kit Installation Manual

By drastically improving the aerodynamics of the S2000 with this coupe kit, you will attain speed and improve fuel consumption.

In order to correctly instal the kit, please follow the steps of this manual. You will need some basic automotive parts installation knowledge.

### BEFORE STARTING

#### Roof Switch

It is possible to install the kit with the roof enclosed.

First completely enclose the convertible roof in its compartment and disconnect the **"switch"** coupler just in case. If you need to move the roof during working, reconnect the coupler and then disconnect.



We advise you go confirm the installation process first before you paint the coupe roof.



Check if the bolts are fastened everytime after driving.

**1. Installing the main roof.**

Fix the main roof onto the body using the 3 rear stays and side stays Lock the front lock last while determining its location. Fix the bolts



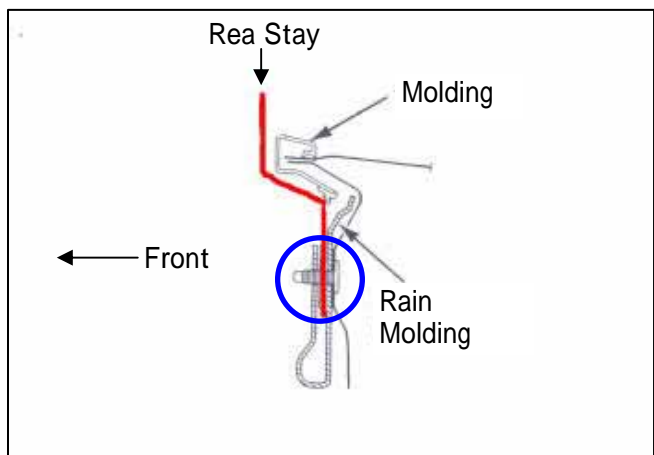
**Make sure the bolts and nuts are inserted straight.**

**2.1** All rear stays are the same size. Place the longer side down.

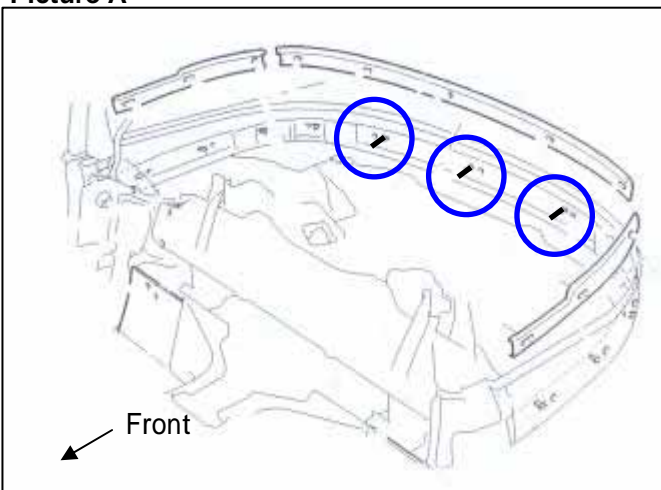


**Rear Stay**

**2.2** Slightly lift up the roof with you hand and slide the stay between the roof and the body. Us the **blue bolt** in picture A and fix with the stock nuts



**Picture A**



**It is important to secure the main cabin here. Before tightening the bolts make sure there are no open spaces anywhere.**

**3.** In order to install the side stay, once remove the rubber part carefully. Then to widen the hole, drill to 6.5mm to 6mm and return the rubber part.



**4.1** The left and right side stays are the same. To fix the stay onto the car, use the included bolts and nuts. Use the bolt and nut so that the side stay stands straight.



**4.2** Secure the enclosed front lock. The 2 stay pieces are for security pieces to prevent falling off. Secure using the tapping screw to the interior material.



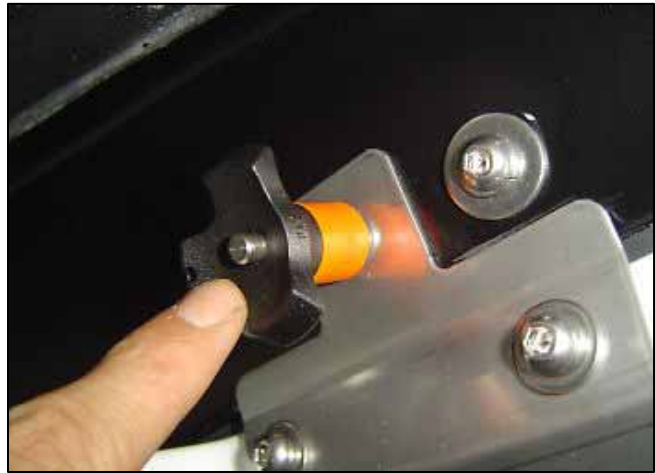
## 5. Installing the Rear Roof

Be careful not to tighten the countersunk screw to much and evenly attach the window.



If you want to make the rim black(photo) or tint the windows make sure this is all done before attaching the window to the rear roof.

6. The main roof and rear roof are locked with a special pin. By pressing the center of the pin you can open and remove the



Make sure the opening and removing of the roof is tested several times before fixing the final location of the stay bolts. It is possible to completely remove the roof from the body if you want. After driving please make sure that each bolt is still securely fastened.



Air vent holes on the rear roof can also be open or closed depending on your preference. Place the enclosed compressed sponge to protect the body.